

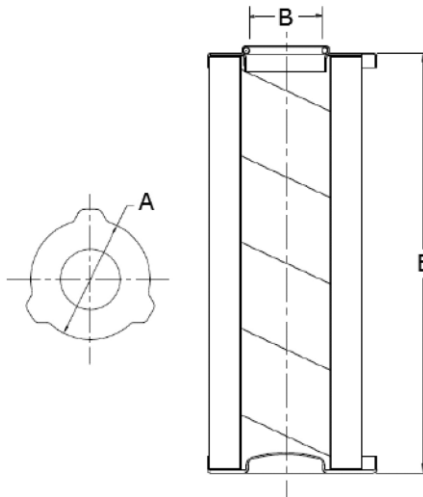
## Interchange Element Data Sheet

Data sheet created using the Parker Par Fit Toolkit software.

<b>Creation Date:</b>	02/10/2018
<b>Datasheet No:</b>	
<b>Parker Part No:</b>	934473Q
<b>OEM:</b>	Pall
<b>OEM Part No:</b>	HC8200FKP13Z

### Product Dimensions

<b>A (mm)</b>	76.2	<b>(inch)</b>	3.00
<b>B (mm)</b>	38.4	<b>(inch)</b>	1.51
<b>D (mm)</b>	76.2	<b>(inch)</b>	3.00
<b>E (mm)</b>	323.3	<b>(inch)</b>	12.73



### Construction Materials

<b>Seal(s):</b>	FKM: Fluorocarbon
<b>Top Endcap:</b>	Mild steel
<b>Bottom Endcap:</b>	Mild steel
<b>Inner Support Cylinder:</b>	Steel tin plated
<b>Filter Media:</b>	Multilayer fiberglass with epoxy coated mesh on both sides

### Calculated Performance Criteria

<b>Differential Pressure (<math>\Delta p</math>):</b>	bar @ l/min
<b>Tested to ISO3968 @ 32 cSt</b>	psi @ gpm
<b>Efficiency</b>	>Beta 200 @ 4 microns & greater >Beta 1000 @ 5 microns & greater
<b>Minimum Collapse Pressure:</b>	>10 bar
<b>Tested to ISO2941</b>	>150 psi
<b>Dirt Holding Capacity acc. to ISO16889</b>	